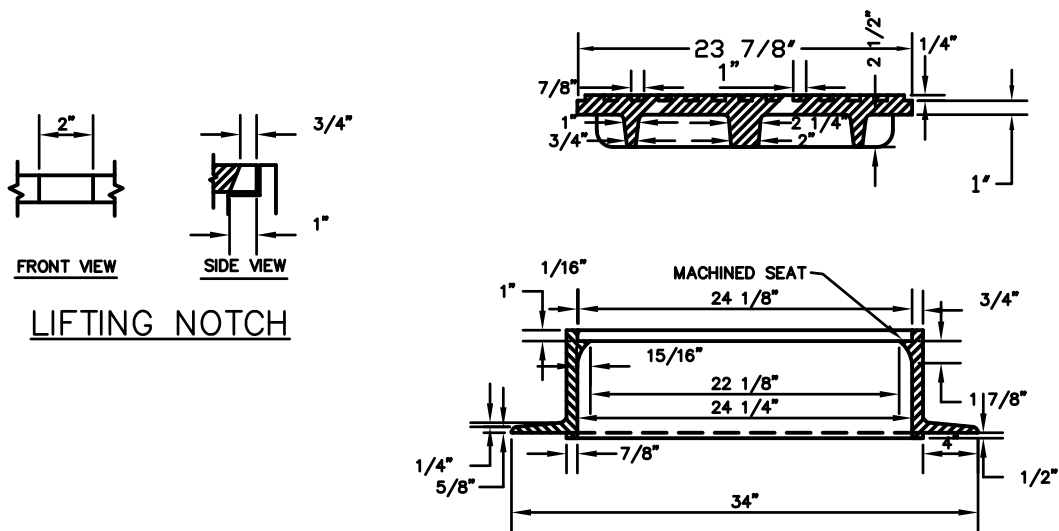


PLAN



SECTION A-A

NOTE:

1. CASTING SPECIFICATIONS: ASTM A-48 WITH A MINIMUM TENSILE STRENGTH OF 25 KSI (CLASS 25) PER CITY OF CENTENNIAL STANDARDS
2. TOP OF MANHOLE COVER SHALL BE 1/4" TO 1/2" BELOW GRADE OR PER CITY/COUNTY REQUIREMENTS
3. CASTINGS SHALL BE AS SPECIFIED BELOW OR EQUAL: (CAST IRON ONLY)

MANUFACTURERS	CAT. #
NEENAH	R-1706
CASTINGS, INC.	MH-400-24 C.I.
HUTCHINSON FDRY. & STL. INC.	MH-400
DEETER	1258

Kennedy/Jenks Consultants
Engineers & Scientists

165 S Union Boulevard
Suite 570
Lakewood, CO 80228
303 985 3636 TEL

SOUTH ENGLEWOOD SANITATION DISTRICT

www.southenglewood.org

24" MANHOLE
RING AND COVER
DETAIL

DRAWING NO.: SESD-PUB-8S DATE: 8/19