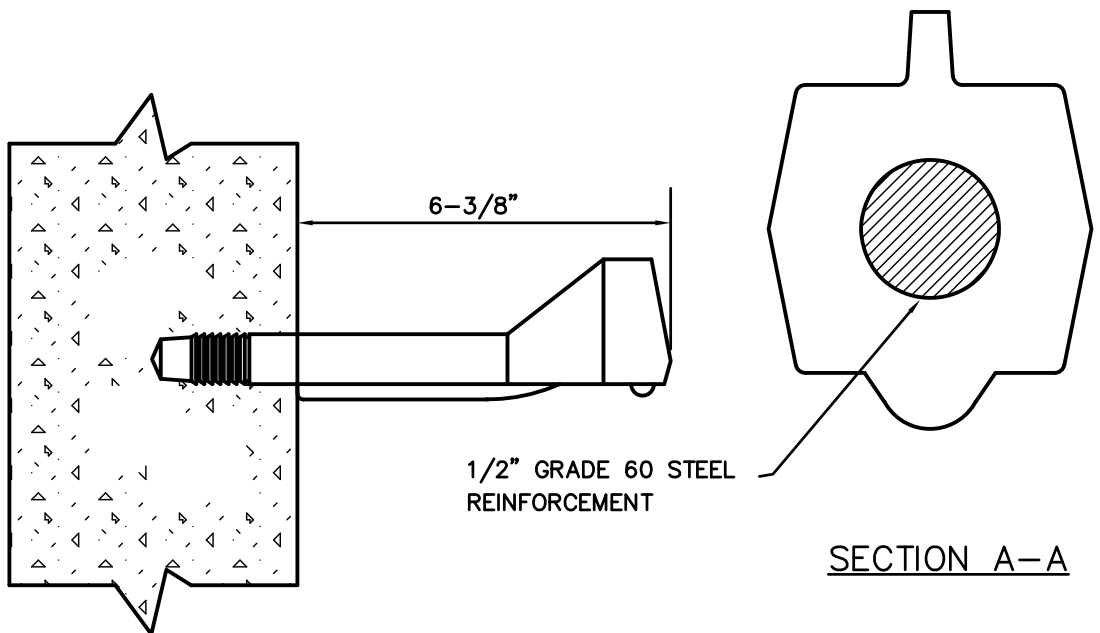


COPOLYMER POLYPROPYLENE PLASTIC



Kennedy/Jenks Consultants
Engineers & Scientists

165 S Union Boulevard
 Suite 570
 Lakewood, CO 80228
 303 985 3636 TEL

SOUTH ENGLEWOOD SANITATION
 DISTRICT
www.southenglewood.org

PLASTIC
 STEP DETAIL

DRAWING NO.: PUB-7 DATE: 8/19