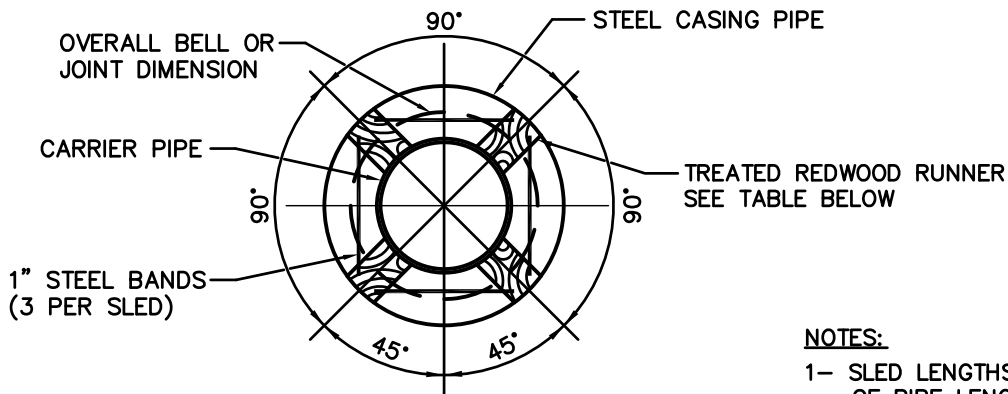


SLED DETAIL



NOTE:
NEOPRENE OR PVC RUNNERS MAY BE USED AS AN ALTERNATIVE TO TREATED REDWOOD.

NOTES:

- 1- SLED LENGTHS TO BE 75% OF PIPE LENGTHS.
- 2- HARNESS LUGS TO BE INSULATED FROM D.I. PIPE

PIPE CASING DETAIL

PIPE DIA.	CASING PIPE		RUNNER SIZE
	MIN. O.D.	MIN. WALL THICKNESS	
8"	18"	0.375"	4" x 4"
10"	20"	0.375"	4" x 4"
12"	22"	0.375"	4" x 4"
15"-21"	28"	0.406"	4" x 4"
24"-30"	32"	0.469"	4" x 6"

Kennedy/Jenks Consultants
Engineers & Scientists

165 S Union Boulevard
Suite 570
Lakewood, CO 80228
303 985 3636 TEL

SOUTH ENGLEWOOD SANITATION DISTRICT

www.southenglewood.org

PIPE CASING AND
SLED REDWOOD
RUNNERS DETAIL

DRAWING NO.: SESD-PUB-23S DATE: 8/19