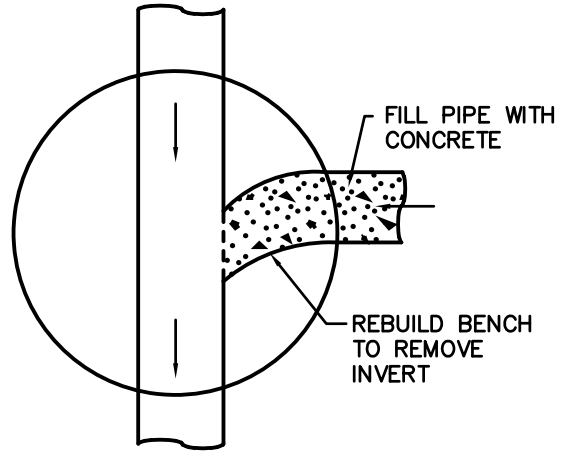
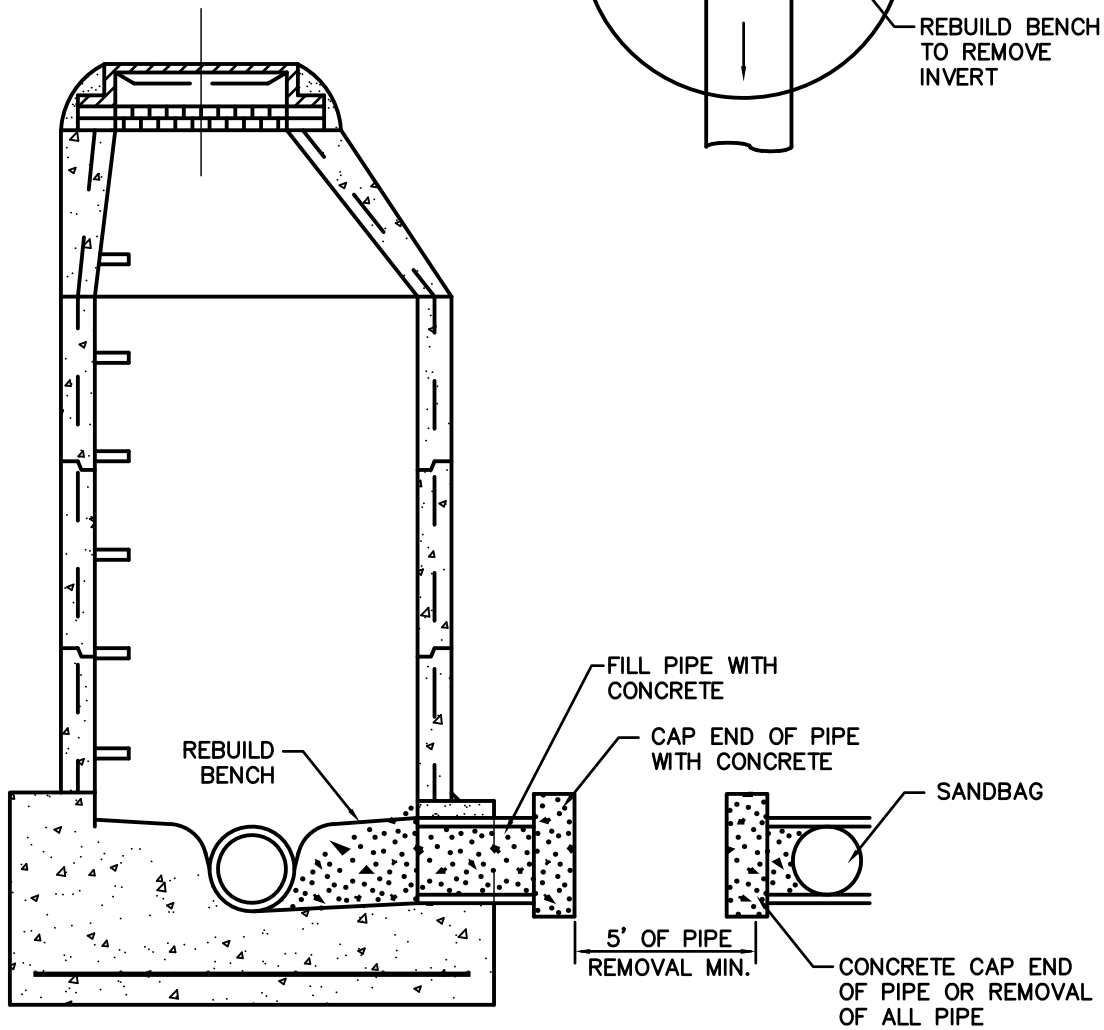


TOP VIEW



SIDE VIEW



**Kennedy/Jenks Consultants**

**Engineers & Scientists**

165 S Union Boulevard  
Suite 570  
Lakewood, CO 80228  
303 985 3636 TEL

SOUTH ENGLEWOOD SANITATION DISTRICT

[www.southenglewood.org](http://www.southenglewood.org)

PIPE ABANDONMENT  
INTO MANHOLE DETAIL

DRAWING NO.: SESD-PUB-22S DATE: 8/19