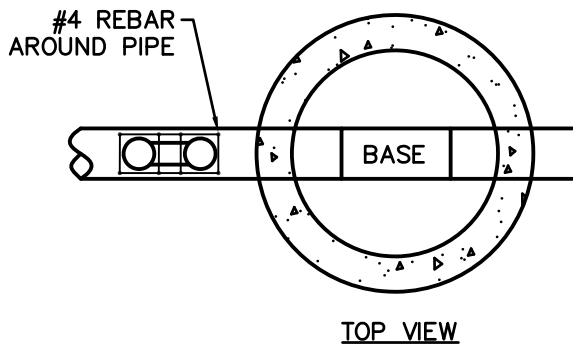


NOTES:

1. P.V.C. (ASTM D-3034 SDR-35) OR D.I. PIPE AND FITTINGS SHOWN; DETAILS SIMILAR FOR ALL OTHER TYPES OF PIPE.
2. CONCRETE ENCASEMENT SHALL BE CLASS II, TYPE III-VIBRATED AND POURED MONOLITHIC WITH MANHOLE BASE MIN. 8" THICK ALL AROUND DROP.
3. DIAMETER OF DROP PIPE SHALL NOT BE LESS THAN THE LINE DIAMETER.
4. ANY DROP OVER 4'-0" REQUIRES VERTICAL AND HORIZONTAL REINFORCEMENT (#4 @ 1'-6" O.C.-3" CLEAR) IN ADDITION TO THE REINFORCEMENT SHOWN IN THE MANHOLE BASE.
5. MAXIMUM ALLOWABLE DROP SHALL BE SUBJECT TO THE APPROVAL OF THE DISTRICT ENGINEER.



Kennedy/Jenks Consultants
Engineers & Scientists
 165 S Union Boulevard
 Suite 570
 Lakewood, CO 80228
 303 985 3636 TEL

SOUTH ENGLEWOOD SANITATION DISTRICT
www.southenglewood.org

OUTSIDE DROP
 MANHOLE FOR
 PIPE 15" & SMALLER
 DETAIL