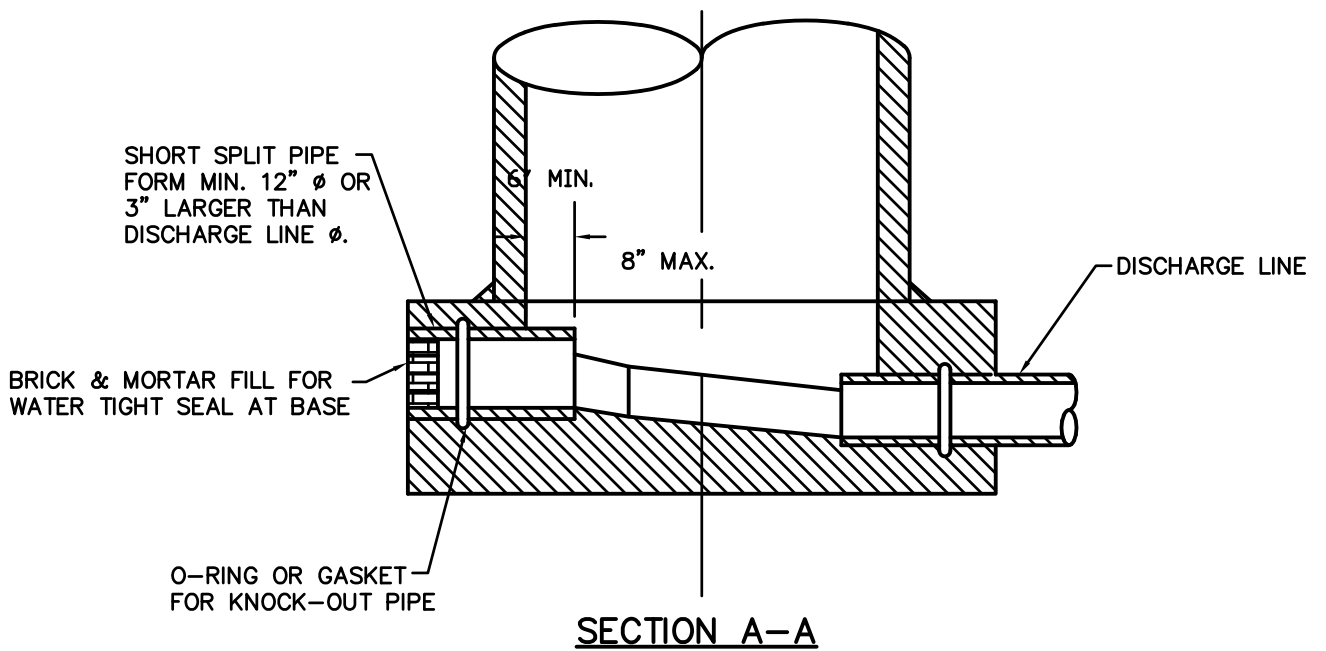


"KNOCK-OUT" OPENING FORMED BY A SHORT PIECE OF SPLIT PIPE.

NOTE:  
 "KNOCK-OUT" OPENING IN BASE SHALL BE FORMED WITH A SHORT PIECE OF "SPLIT PIPE" AND BENCH FORMED ACCORDINGLY. THE PIPE SHALL BE A MINIMUM OF 12" IN DIA. OR 3" LARGER THAN THE DISCHARGE LINE SIZE. AN "O" RING GASKET SHALL BE USED ON THE LINE TO FORM A GASKET "KEY" FOR USE WHEN THE FUTURE PIPE IS CONSTRUCTED. AFTER THE CONCRETE HAS SET THE "SPLIT PIPE" SHALL BE BROKEN OUT AND THE HOLE CLOSED WITH BRICK AND MORTAR.



**Kennedy/Jenks Consultants**  
 Engineers & Scientists  
 165 S Union Boulevard  
 Suite 570  
 Lakewood, CO 80228  
 303 985 3636 TEL

SOUTH ENGLEWOOD SANITATION DISTRICT  
[www.southenglewood.org](http://www.southenglewood.org)

KNOCK-OUT  
 MANHOLE DETAIL

DRAWING NO.: SESD-PUB-13S DATE: 8/19