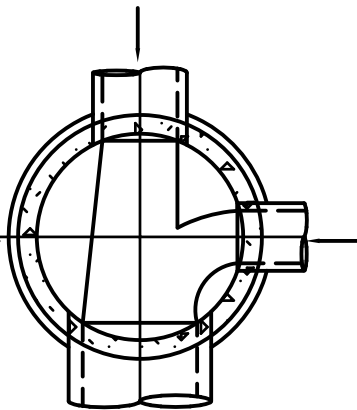
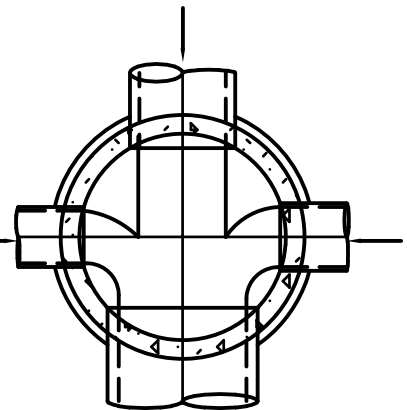


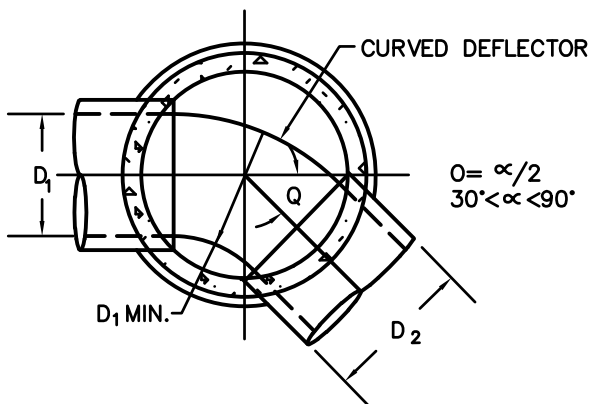
THROUGH PIPE



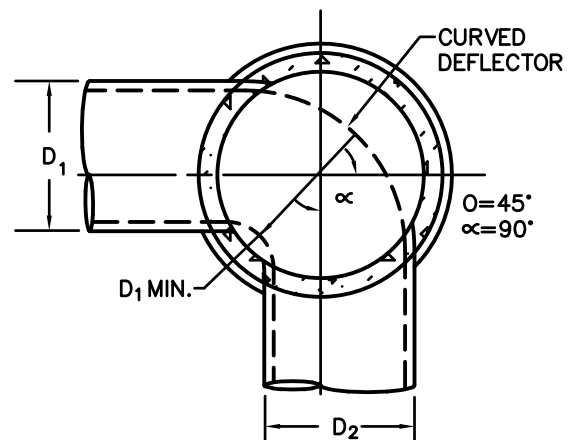
THROUGH PIPE
ONE COLLECTION LINE



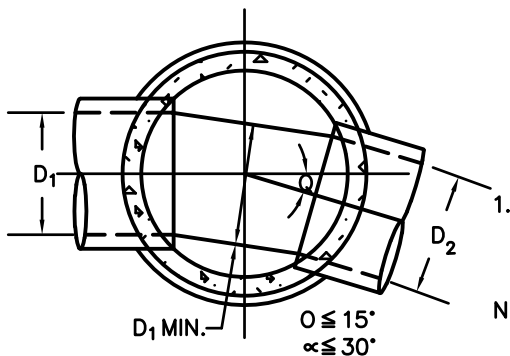
THROUGH PIPE
TWO COLLECTION LINES



INTERMEDIATE ANGLE

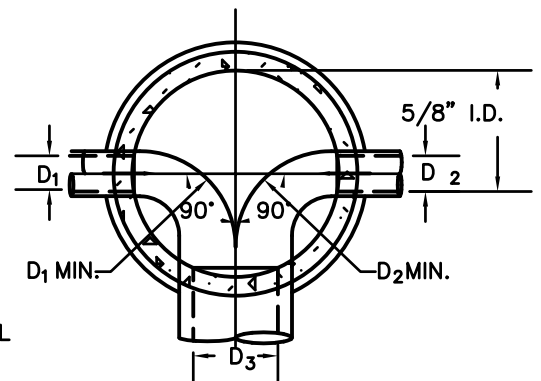


SHARP ANGLE



INTERMEDIATE ANGLE

NOTE:
DETAILS SHOWN ARE TYPICAL
ONLY FOR INSTALLATIONS
WITH A MAXIMUM OF UP TO
18 INCH DIFFERENCE IN INVERTS.
(INSIDE DROP)



OPPOSED LATERALS

Kennedy/Jenks Consultants

Engineers & Scientists

165 S Union Boulevard
Suite 570
Lakewood, CO 80228
303 985 3636 TEL

SOUTH ENGLEWOOD SANITATION DISTRICT

www.southenglewood.org

MANHOLE BASE
AND DEFLECTOR
DETAIL

DRAWING NO.: SESD-PUB-12S DATE: 8/19