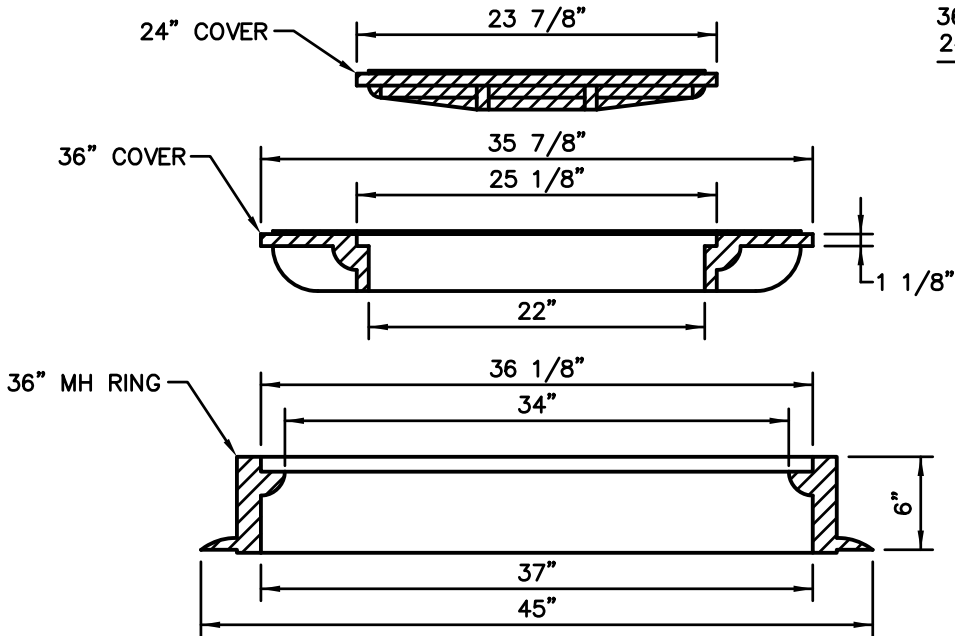


**PLAN**

**FRONT VIEW    SIDE VIEW**  
**LIFTING NOTCH**

**NOMINAL WEIGHT**

|               |             |
|---------------|-------------|
| RING=         | 280#        |
| 36" COVER=    | 250#        |
| 24" COVER=    | 165#        |
| <b>TOTAL=</b> | <b>695#</b> |



**SECTION A-A**

**NOTES:**

- CASTING SPECIFICATIONS: ASTM A-48 WITH A MINIMUM TENSILE STRENGTH OF 25 KSI (CLASS 25) PER CITY OF CENTENNIAL STANDARDS
- ALL CASTINGS TO BE DIPPED IN ASPHALT BASED PAINT (OR APPROVED EQUAL).
- CASTINGS SHALL BE AS SPECIFIED BELOW OR EQUAL:

|                       |                 |
|-----------------------|-----------------|
| <u>MANUFACTURERS</u>  | <u>CAT. NO.</u> |
| NEEHAH FOUNDRY CO.    | R-1740-D2       |
| CONSTRUCTION CASTINGS | J-1425 (SHOWN)  |
- TOP OF MANHOLE COVER SHALL BE 1/4" TO 1/2" BELOW GRADE OR PER CITY/COUNTY REQUIREMENTS

**Kennedy/Jenks Consultants**  
Engineers & Scientists  
165 S. Union Boulevard  
Suite 570  
Lakewood, CO 80226  
303 985 3636 TEL

SOUTH ENGLEWOOD SANITATION DISTRICT  
[www.southenglewood.org](http://www.southenglewood.org)

DOUBLE MANHOLE  
COVER DETAIL