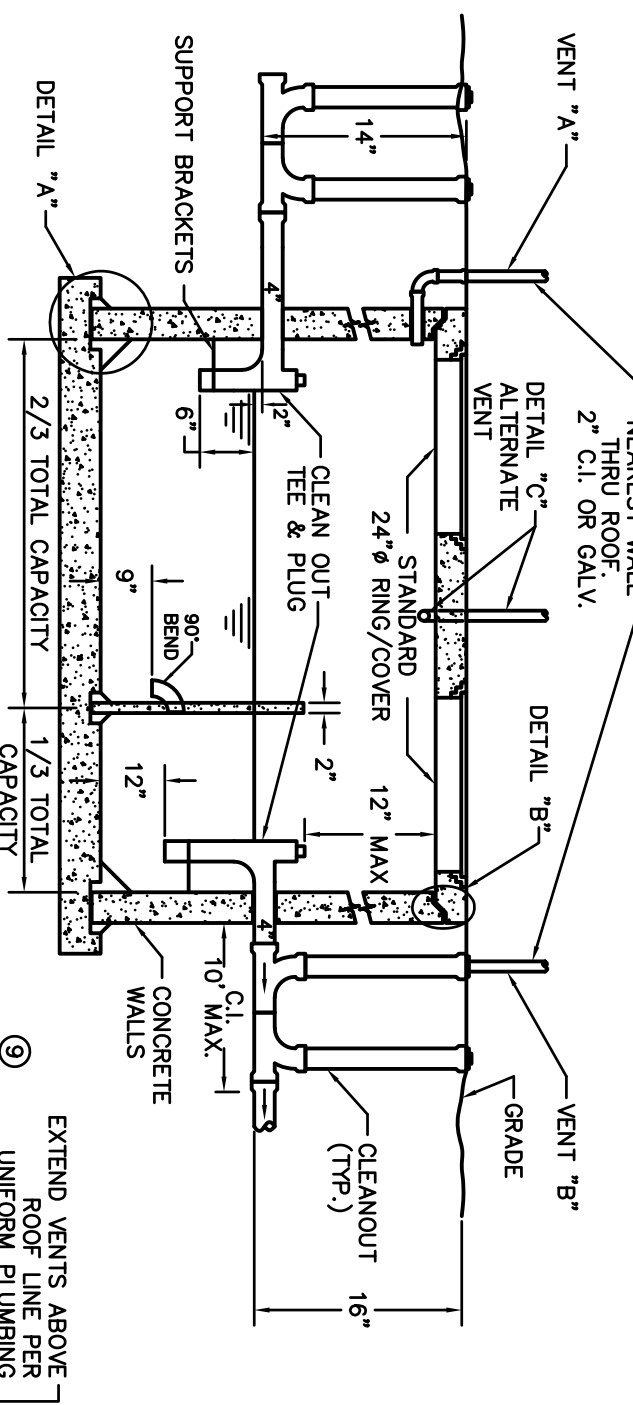


PLUMBING PER CITY/COUNTY REQUIREMENTS

5' MIN. FROM BLDG.

PLAN

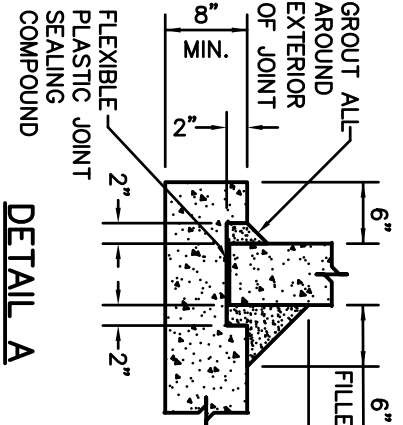
VENT "A" MAY RISE A MINIMUM OF 42" ABOVE FIXTURE FLOOD LINE AND MAY COMBINE WITH VENT "B" ABOVE THE 42" LINE TO FORM A SINGLE VENT THROUGH THE ROOF.



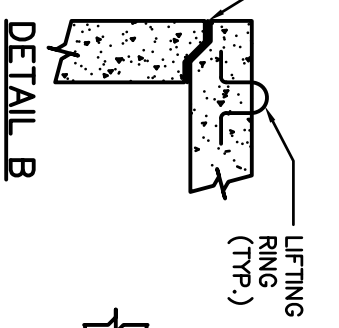
SECTION "A-A"

SET TOP SLAB ON MORTAR, GROUT OUTSIDE EDGE AFTER INSTALLATION.

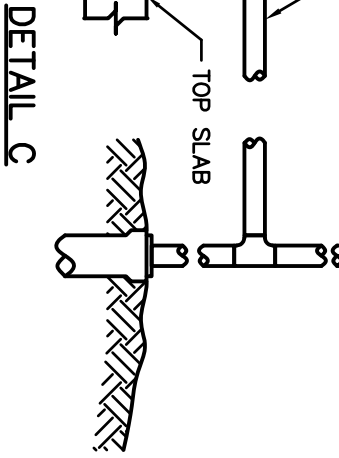
EXTEND VENTS ABOVE ROOF LINE PER UNIFORM PLUMBING CODE



DETAIL A



DETAIL B



DETAIL C

GENERAL NOTES:

1. THESE STANDARD DETAILS SHALL ONLY BE CONSTRUED TO SHOW CONCEPTUAL AND STANDARD DIMENSIONAL REQUIREMENTS FOR SAND & OIL INTERCEPTOR AND SHALL NOT BE USED FOR CONSTRUCTION. THE ARCHITECT/ENGINEER SHALL FURNISH STRUCTURAL DESIGN CRITERIA, HYDRAULIC LOADING, VOLUME & RETENTION TIME REQUIREMENTS AND DETAILED CONSTRUCTION DRAWINGS, INCLUDING SITE PLAN FOR APPROVAL PRIOR TO CONSTRUCTION.
2. ALL PIPE AND FITTINGS TO BE SCHEDULE 40 PVC EXCEPT WHERE NOTED OTHERWISE AND SHALL BE 4" MINIMUM DIAMETER.
3. CHAMBERS, BOTTOM AND TOP SLAB TO BE REINFORCED THROUGHOUT. ADDITIONAL DIAGONAL REINFORCING TOP AND BOTTOM IS REQUIRED AROUND ACCESS OPENINGS. ALL REBAR SHALL HAVE A 3" MINIMUM COVER TO FACE OF CONCRETE.
4. THICKNESS OF WALLS, BOTTOM AND TOP SLAB TO BE DETERMINED FROM STRUCTURAL LOADING REQUIREMENTS BY ARCHITECT/ENGINEER. CAST-IN-PLACE BOTTOM SLAB SHALL NOT BE LESS THAN 8" THICK.
5. INLET AND OUTLET PIPE SIZES SHALL BE DETERMINED BY ARCHITECT/ENGINEER BUT SHALL NOT BE LESS THAN 4" DIAMETER (OUTLET PIPE INVERT TO BE 2" LOWER THAN INLET).
6. REINFORCED CONCRETE BOTTOM SLAB SHOWN. (MAY BE INTERNALLY CAST WITH PRE-CAST WALL SECTIONS AT CONTRACTOR'S OPTION).
7. ALL JOINTS IN PRE-CAST SECTIONS TO BE SEALED WITH FLEXIBLE PLASTIC JOINT SEALING COMPOUND TO FED. SPEC. S-SS-C0210 (EXCEPT TOP SLAB).
8. VENT PIPE MATERIALS AND LOCATION SHALL BE IN ACCORDANCE WITH THE PLUMBING CODE.
9. ROUND OR CIRCULAR SAND & OIL INTERCEPTOR WILL REQUIRE SPECIAL DESIGN AND APPROVAL.
10. PRE-CAST CONCRETE SHAPES ARE SHOWN. CAST-IN-PLACE CONCRETE STRUCTURE IS OPTIONAL.
11. PRE-CAST REINFORCED CONCRETE SECTIONS SHALL BE IN ACCORDANCE WITH ASTM-C-478.
12. DESIGN CRITERIA: (MINIMUM)
 UNIT WEIGHT OF SOIL 120 PCF
 EQUIVALENT FLUID PRESSURE 30 PCF
 LEVEL LOADS (IF APPLICABLE) AASHTO H=20
 CONCRETE STRENGTH (F_c)(TYPE II CEMENT) 4000 PSI
 TOP SLAB MAY BE ONE PIECE OF MULTIPLE SEGMENT CONSTRUCTION AT CONTRACTOR'S OPTION.
14. SUPPORT BRACKETS AND CLEAN-OUT PLUGS SHALL BE STAINLESS STEEL.
15. OTHER VARIOUS COMBINATIONS OF TANK DIMENSIONS MAY BE SUBMITTED FOR APPROVAL, PROVIDED THAT ANY ALTERNATE DESIGN SHALL HAVE THE SAME BASIC PROPORTIONAL DIMENSIONS, COMPARABLE VOLUMES AND FUNCTIONAL CAPABILITIES AS THESE STANDARD DETAILS.
16. DRAWINGS ARE NOT TO SCALE.
17. REFER TO LITTLETON/ENGLEWOOD WASTEWATER TREATMENT PLANT FATS, OILS, AND GREASE POLICY FOR GREASE INTERCEPTOR SIZING.
18. ALL MANHOLE COVERS SHALL BE TRAFFIC RATED AND SHALL NOT BE LOCKED OR OTHERWISE FASTENED IN PLACE SUCH THAT ACCESS IS RESTRICTED.

Kennedy/Jenks Consultants

Engineers & Scientists
 166 S Union Boulevard
 Suite 670
 Lakewood, CO 80228
 303.985.3636 FAX

SOUTH ENGLEWOOD SANITATION DISTRICT
 www.southenglewood.org

SAND & OIL INTERCEPTOR

DRAWING NO.: SESD-PRI-8S DATE: 8/19