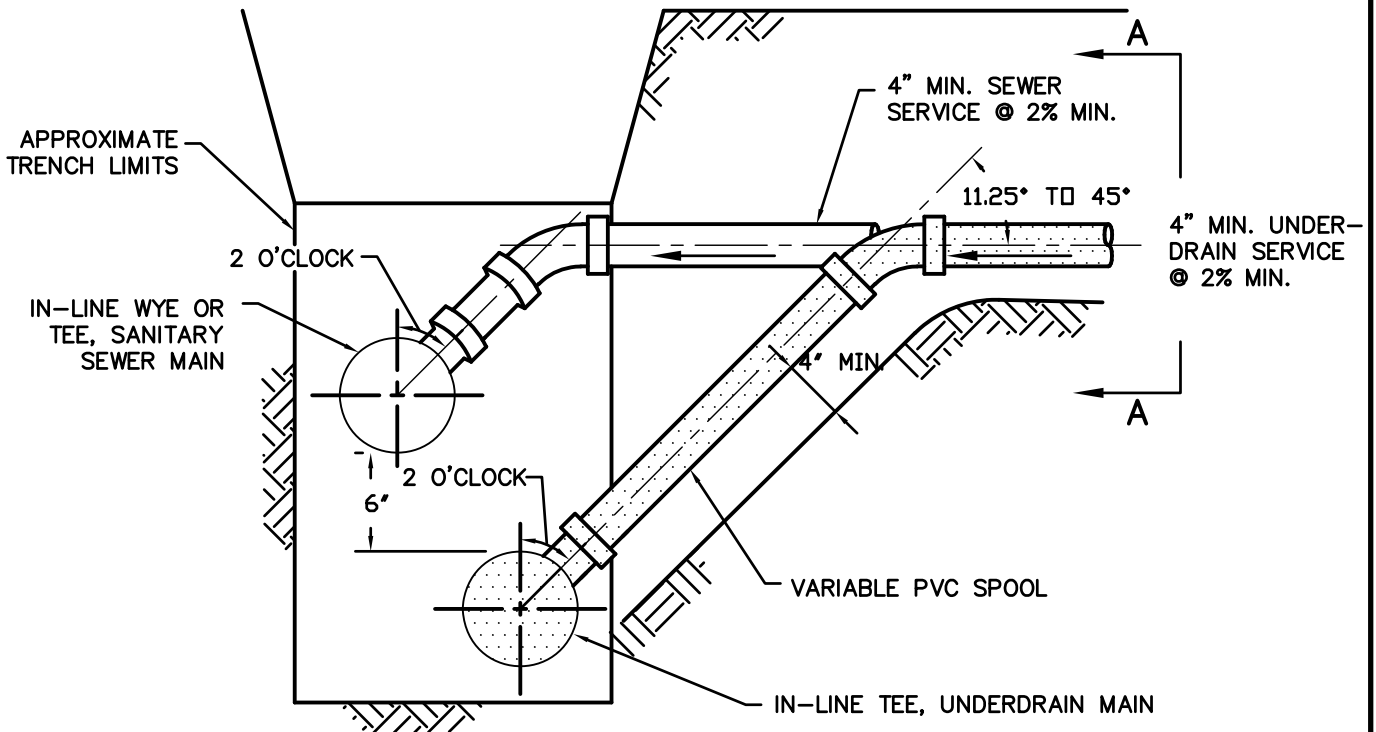


CONNECTION TO THE LEFT



CONNECTION TO THE RIGHT

**Kennedy/Jenks Consultants**  
 Engineers & Scientists  
 165 S Union Boulevard  
 Suite 570  
 Lakewood, CO 80228  
 303 985 3636 TEL

SOUTH ENGLEWOOD SANITATION DISTRICT  
[www.southenglewood.org](http://www.southenglewood.org)

SANITARY SEWER  
 SERVICE CONNECTIONS  
 WITH UNDERDRAIN  
 2 of 2

DRAWING NO.: SESD-PRI-6S DATE: 8/19